

# EEN118 LAB THREE

The purpose of this lab is to ensure that you are confident with - and have had a lot of practice at - writing small clear functions that give precise control over repetitive tasks. The lab is divided into three almost independent sections. Be careful that you don't ruin the work you did for one section while you are working on the next.

## Section A - Conversions

### A1. *Remembering how to start*

Remind yourself of how to write the most basic repetitive function of all, one that takes two parameters, A and B, and just prints all the numbers from A to B inclusive. This will be the starting point for everything this week, so type it in, and make absolutely sure that you have got it right, and it really works.

### A2. *Exotic Canada*

You could adapt that function to count differently. Make a new version of it that counts in steps of ten, so that if you said "numbers(10, 90);" in main, your program would print 10 20 30 ... 90. Test it, make sure you got it right.

Now imagine that you are taking a trip to some wild and exotic part of the world where they use the metric system. Canada perhaps. You'll be driving, and don't want to get a ticket for going too slow, so you want a conversion table to translate miles per hour into kilometres per hour. One mile is 1.609344 km.

Adapt your function so that it doesn't just print numbers, but prints mph to kph conversions instead. Where it used to print X, it should now print X mph is Y kph. The first few lines of output would look something like this

```
10 mph is 16 kph.  
20 mph is 32 kph.  
30 mph is 48 kph.  
40 mph is 64 kph.
```

But there's a complication. You will also be visiting the Mayor of Toronto, and he likes to measure speed in kilometres per minute (not grams as you may have thought). So what you need is a three way conversion like this.

```
10 mph is 16 kph or 0.27 kpm.  
20 mph is 32 kph or 0.53 kpm.  
30 mph is 48 kph or 0.8 kpm.  
40 mph is 64 kph or 1.07 kpm.
```

You are probably seeing some ugly output now, with lots of distracting extra digits. When a program calculates (for example)  $10 * 1.609344$ , it gets a very accurate result, 16.093444). Usually, precision is what you want, but in this case it doesn't help. To throw away all the digits after the decimal point, and reduce the value to an int, the C++ expression is

```
(int)(10*1.609344)
```

Yes, you do need all those brackets, and of course it works for all numbers with decimal points in them, not just `10*1.609344`. It is even better if you *round* the result to the *nearest* int. The trick for that is

```
(int)(10*1.609344 + 0.5)
```

which works for all positive values.

But that makes sense only for kilometres per hour. Kilometres are close enough to miles that we don't want to see any digits after the decimal point. Miles per minute are another thing altogether. We want exactly two digits after the point. You can probably work out how to reach that goal.

## Section B - ASCII Art

### B1. *Stars*

Go back to your basic counting function from A1, and this time adapt and adopt it in a different way. Make a function that has one parameter N, which just prints a row of N stars. That's it, nothing complicated, `stars(7)` should just print `"*****"`.

Your function in A1 had two parameters, but this time we want a function that has only one parameter.

### B2. *Spaces*

Now make another function almost identical to that, but it should print spaces instead of stars. `spaces(7)` should just print seven spaces. How are you going to test it? If you just print spaces, you don't see anything.

### B3. *Stars and Spaces*

Now make another function that takes two parameters A and B, and prints A spaces followed by B stars followed by a new line. `spacesstars(3, 4)` should just print `" ****"`. Remember that having functions that use other functions to do most of their work is a good design technique.

### B4. *Another adaptation*

Thinking about how you controlled repetition so far, write yet another function that takes two parameters A and B. This one should count *down* from A to 1, and at the same time count *up* from B. That sounds pointlessly complicated, but one little example will make it clear: `sequence(5, 1)` should print

```
5 1
4 2
3 3
2 4
1 5
```

## B5. *Combining*

Still remembering the idea of little functions using other little functions to do their jobs, write another function just like `sequence`, except that it doesn't print the numbers, it uses them as parameters to `spacesstars`. This new function will draw triangles: as an example `triangle(5, 1)` should print

```
      *
     **
    ***
   ****
  *****
```

Not very spectacular I admit, but it's all good practice.

## Section C - Circles

### C1. *A circle*

One way to draw an approximate circle is to draw a straight line a short distance, then turn a small amount to the right. Repeat that so many times that all the turns add up to 360 degrees, and you'll be back at the starting point. If the steps are small enough, nobody will be able to tell the difference between that and an exact circle. Computer monitors aren't really very sharp, so the steps don't need to be really really small, just small.

Do it. Write a function that draws a circle. You should be able to control the size of the circle by altering its parameters.

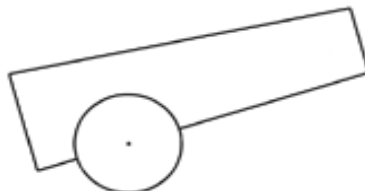
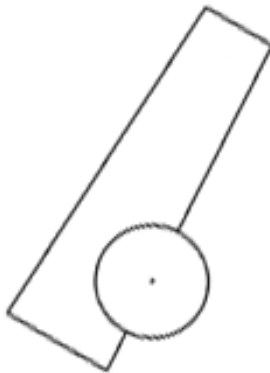
This is how you get the most accurate value for pi in C++:

```
const double pi = acos(-1.0);
```

### C2. *Weaponising*

Now your circle is going to be the wheel of a cannon.

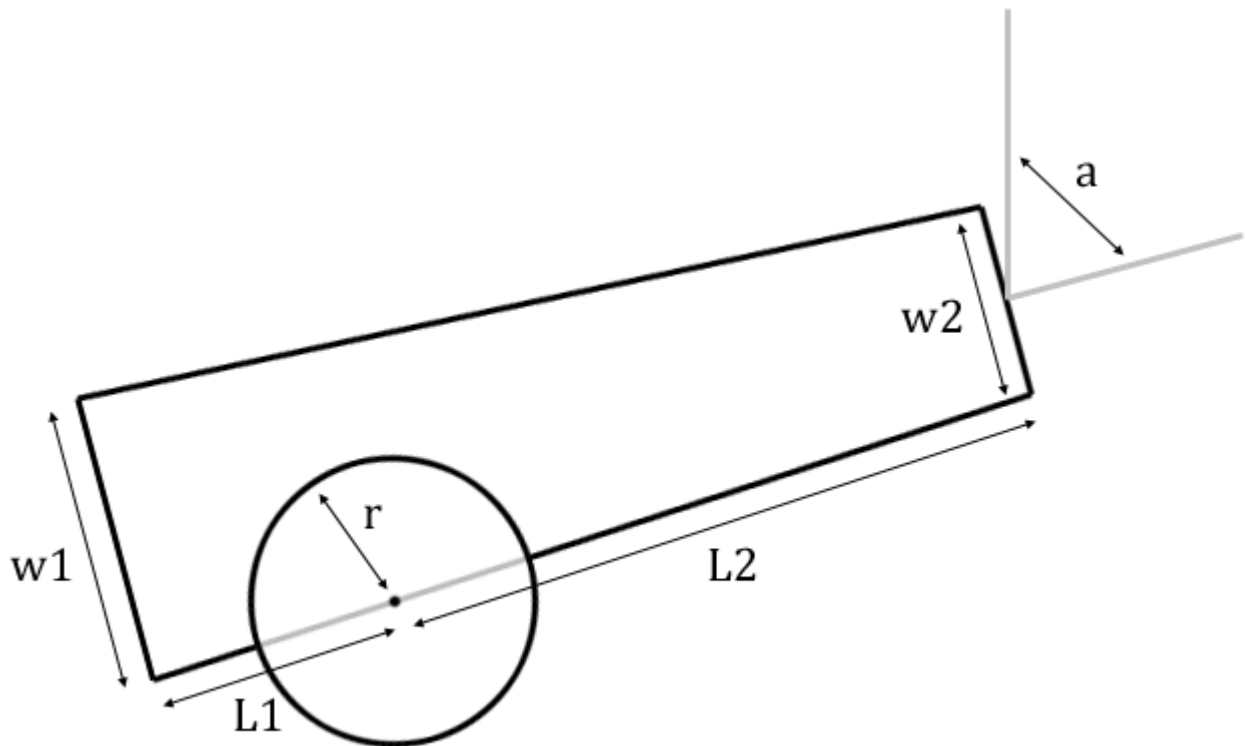
Given the position of the bottom of the wheel and the aiming angle  $(x, y, a)$ , you should be able to make a simple cannon anywhere, aiming at any angle you want, such as 30 degrees (from vertical, shown to the left) or 75 degrees (below).



If you need some help with to get the shape right, there are some formulas on the next pages.

That's the END of the lab. The rest is just if you need a bit of help with the shape:

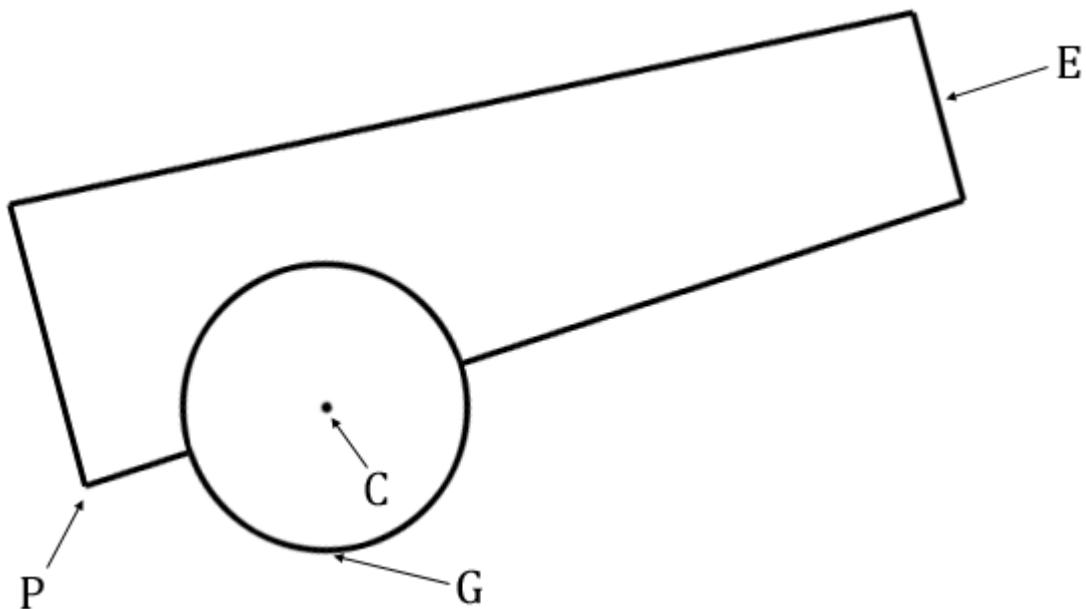
This is the cannon sitting on a wheel. The wheel's radius is  $r$ .



$a$  is the aiming angle.

$L1$  is the distance from the back of the cannon to the wheel's axle,  $L2$  is the rest of the length.

Like all cannons it is wider at the back ( $w1$ ) than the front ( $w2$ ).

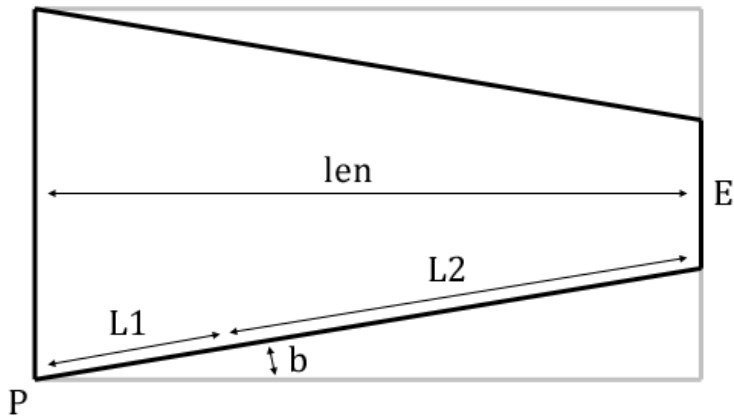


$G$  is the point on the ground where the wheel rests. Its coordinates are  $(x_g, y_g)$ .

$C$  is the exact position of the axle, its coordinates are  $(x_c, y_c)$ .

$P$  is the easiest point to start drawing the body of the cannon from, coordinates  $(x_p, y_p)$ .

$E$  is the point where the ball pops out when it is fired, coordinates  $(x_e, y_e)$ .



This is a simplified picture of the body of the cannon shown with its “bounding box”. The point is to illustrate the difference between the real length of the cannon ( $len$ ) and the sum  $L1+L2$ .

The angle shown as  $b$  is also helpful when drawing the shape. When the cannon is aimed at angle  $a$ , the heading for the bottom line is  $(a-b)$ . Don't forget that all angles are computed in radians.

$$\begin{aligned}
 xc &= xg \\
 yc &= yg - r \\
 b &= \text{asin}((w1-w2)/2/(L1+L2)) \\
 xp &= xc - L1 * \text{sin}(a-b) \\
 yp &= yc + L1 * \text{cos}(a-b) \\
 len &= (L1+L2) * \text{cos}(b)
 \end{aligned}$$

Finally, to find the point E, we need two extra values:  
 $d$  is the distance between points P and E  
 $g$  is the angle from point P to point E if the cannon lies flat as in the third diagram.

$$\begin{aligned}
 d &= \text{sqrt}(len*len + w1*w1/4) \\
 g &= \text{asin}(w1/2/d) \\
 xe &= xp + d * \text{sin}(a-g) \\
 ye &= yp - d * \text{cos}(a-g)
 \end{aligned}$$